

**IMPORTANT! Please read all instructions before installing.**

Thank you for purchasing a Shakespeare product. Shakespeare works hard to build reliability and durability into all of its products. Before installing, please study the diagram and check parts supplied against those listed.

The 4188-SL Rail Mount is a four-way ratchet action rail mount with handle. They are made of stainless steel, and mount easily on vertical, horizontal, or slanted rails. A dual swivel action permits easy lowering of the antenna to clear overhead obstructions. 4188-SL is for 1", 1¼" or 1½" rails. It has a cable slot for easy installation and standard 1"-14 threads.

**TOOLS REQUIRED:**

- Allen wrench

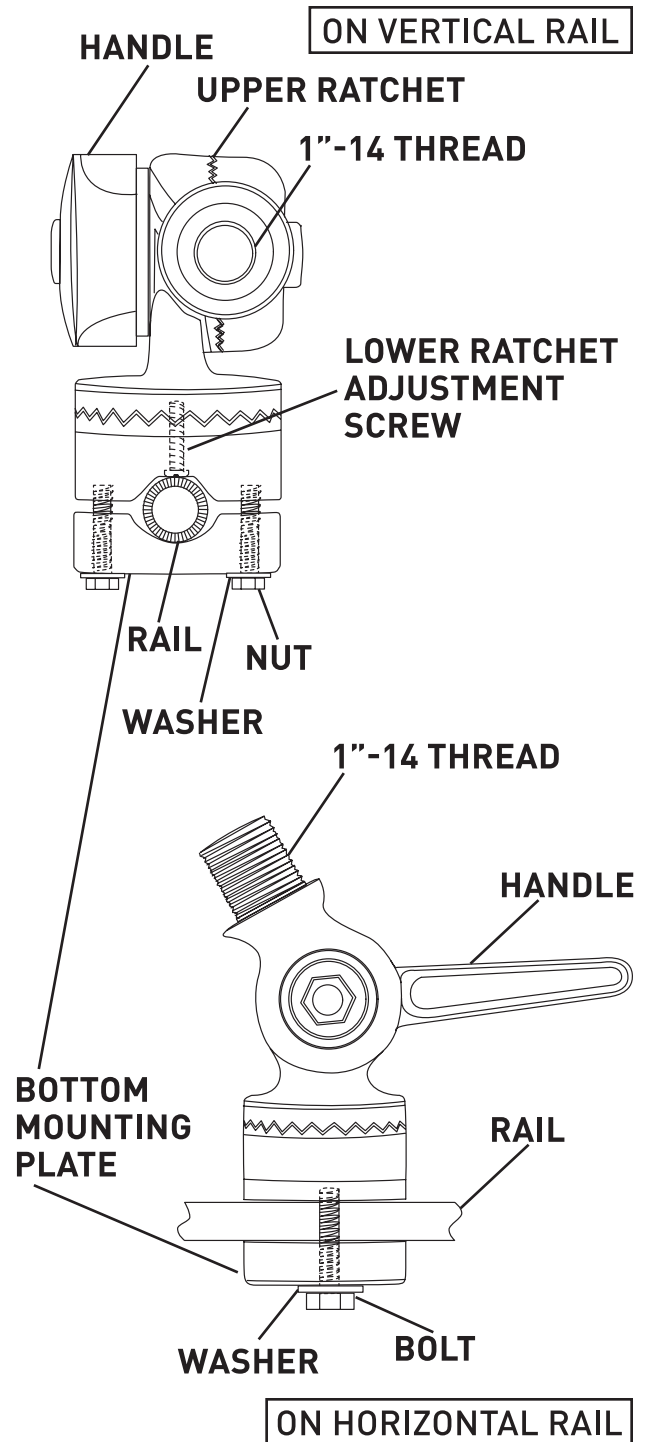
**INSTALLATION INSTRUCTIONS**

1. Choose an antenna mounting location as high as feasible, as free as possible from obstructions, and as far as possible from other antennas and strong forces of RF. Be sure the rail to which you are mounting is sturdy, and capable of supporting the strain of your antenna. You can attach the mount to a vertical, slanted, or horizontal rail. Unlevel or non-perpendicular mounting can be accommodated through the bottom swivel. For convenience, orient the mount so that the handle action will control the up/down position of the antenna.
2. Remove the two bolts which hold the bottom grip in place. Align the two parts of the mount on the rail end using the bolts supplied.
3. The lower ratchet mechanism of the mount is controlled by a large screw, which is accessible when the bottom mounting plate is removed. To rotate the antenna around the bottom ratchet, remove the two bolts (and washers) and use an Allen wrench to loosen the mechanism for adjustment. The handle tightens only the top ratchet.
4. Assemble the antenna to the Rail Mount, being careful not to damage the antenna's cabling, if any.

To raise or lower the antenna, loosen the handle by lifting it away from the mount's base, move the ratchet to the desired position, and tighten the handle.

**SUPPLIED PARTS:**

1 Ratchet Rail Mount Assembly



**SHAKESPEARE® MARINE**  
www.shakespeare-marine.com

U.S. Operations: 6111 Shakespeare Rd. · Columbia, SC 29223 · 803-227-1590 · 800-845-7750

U.K. Operations: Enterprise Way, Fleetwood, Lancashire, FY7 8RY, England · +44 (0) 1253 858787 · Fax: +44 (0) 1253-859595