

IMPORTANT! Please read all instructions before installing.

Thank you for purchasing a Shakespeare product. Shakespeare works hard to build reliability and durability into all of its products. Before installing, please study the diagram and check parts supplied against those listed.

The 4190 Stainless Steel Rail Mount is a versatile mount designed for easy installation on a rail of $\frac{7}{8}$ " or 1" diameter, vertical, horizontal, or slanted. It handles up to 8 feet. Standard 1"-14 threads.

TOOLS REQUIRED:

- Allen wrench

INSTALLATION INSTRUCTIONS

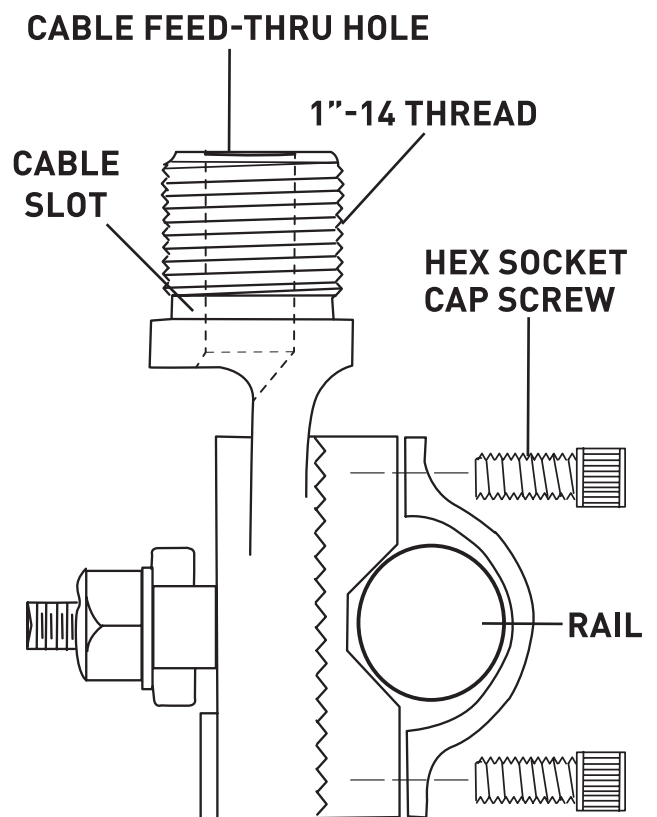
Choose a mounting location as free as possible from obstructions.

1. Remove the two hex socket cap screws, located on the back side of the mount, using an Allen wrench.
2. Position the mount halves around the rail as shown in the illustration. Install the two hex socket cap screws and tighten with an Allen wrench.
3. Use the ratchet mechanism to position the antenna.

For a streamlined look, route the cable through the hole provided in the mount. To preserve the mount's luster apply auto wax or metal polish.

SUPPLIED PARTS:

- 1 Stainless Steel Mount Assembly



SHAKESPEARE® MARINE

www.shakespeare-marine.com

U.S. Operations: 6111 Shakespeare Rd. · Columbia, SC 29223 · 803-227-1590 · 800-845-7750

U.K. Operations: Enterprise Way, Fleetwood, Lancashire, FY7 8RY, England · +44 (0) 1253 858787 · Fax: +44 (0) 1253-859595